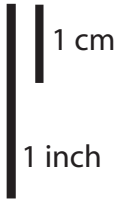




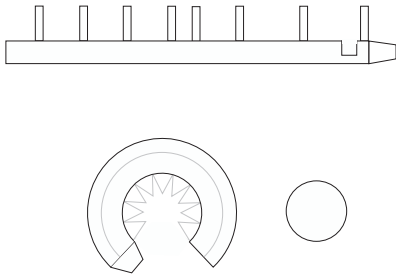
PMA-3 Cover

Print on Cardstock

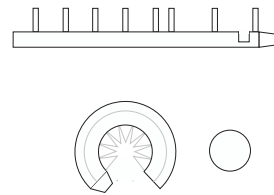
STS-135 Payload bay



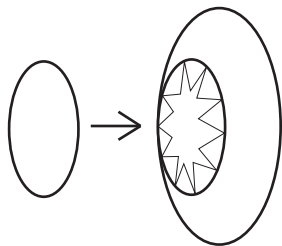
1:100 Scale



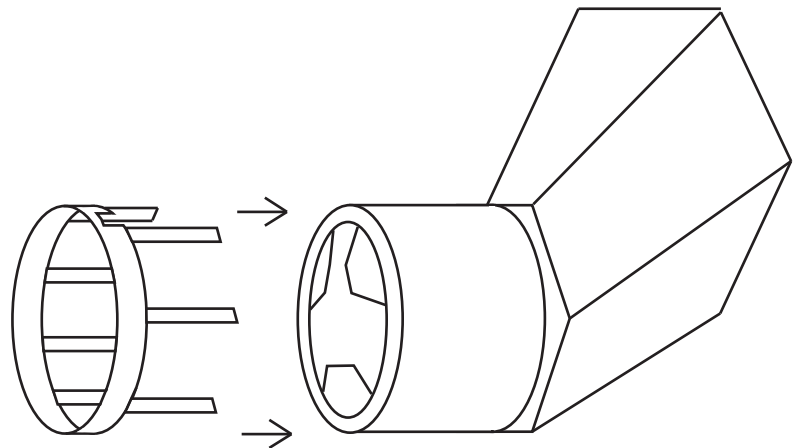
1:144 Scale



Assembly:



Step 2



Step 1