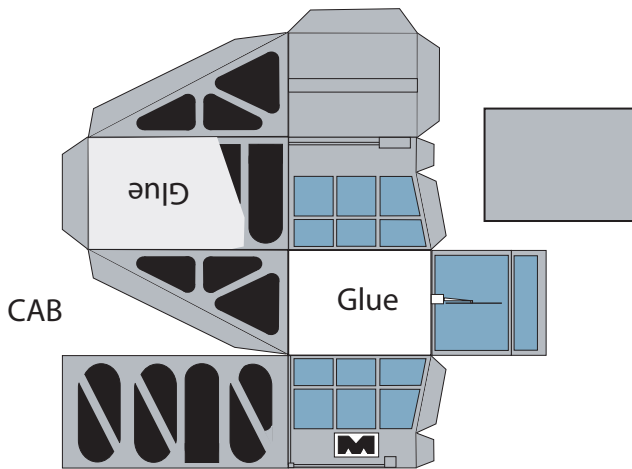
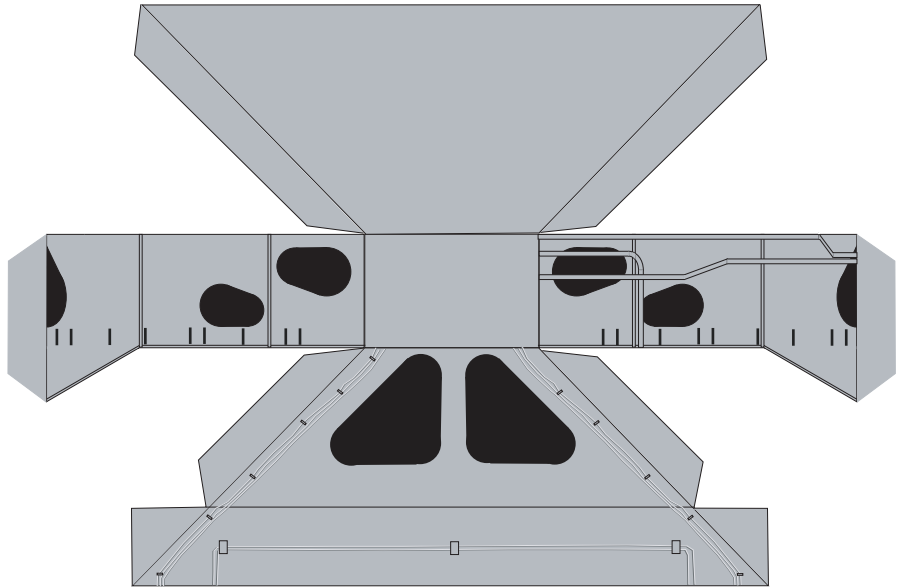
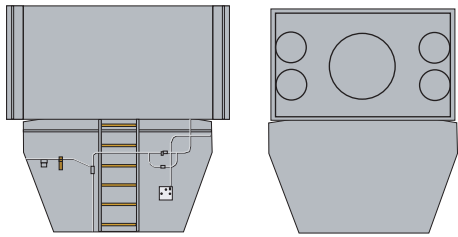




# Print on Cardstock

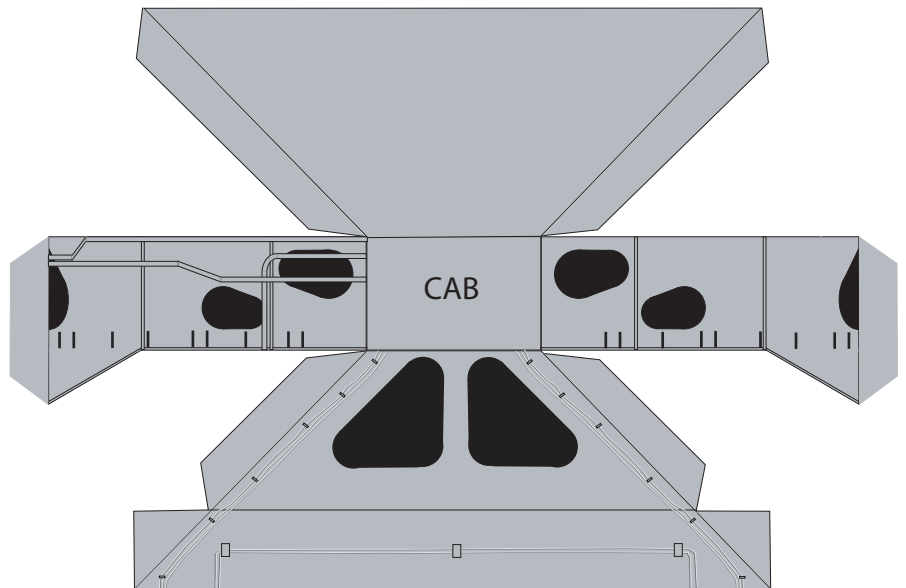
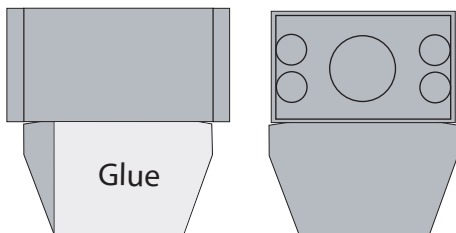
Early Apollo Crawler model

CORNER C / A



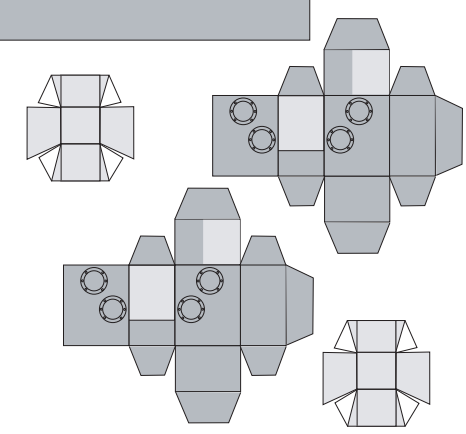
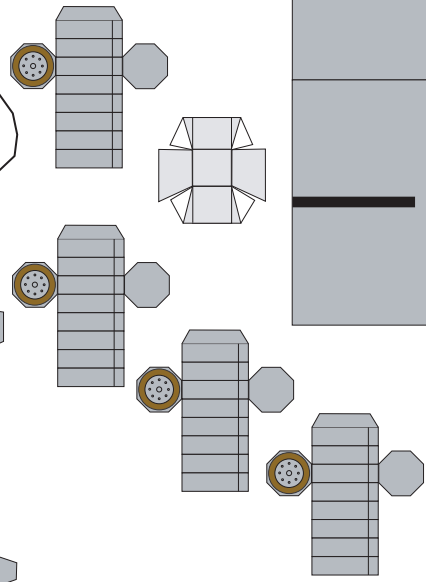
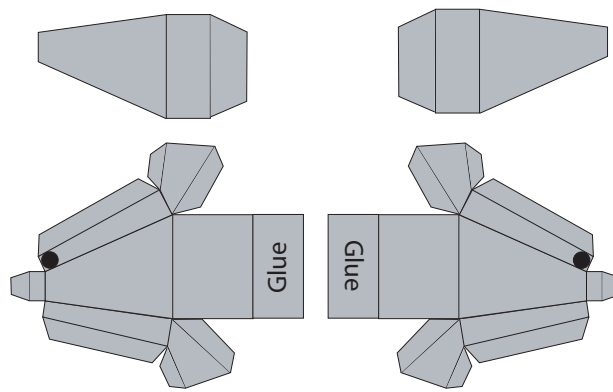
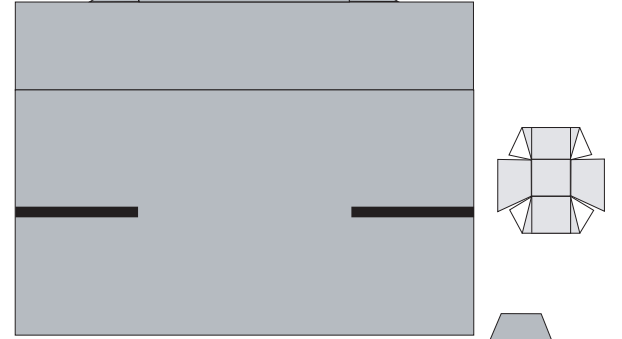
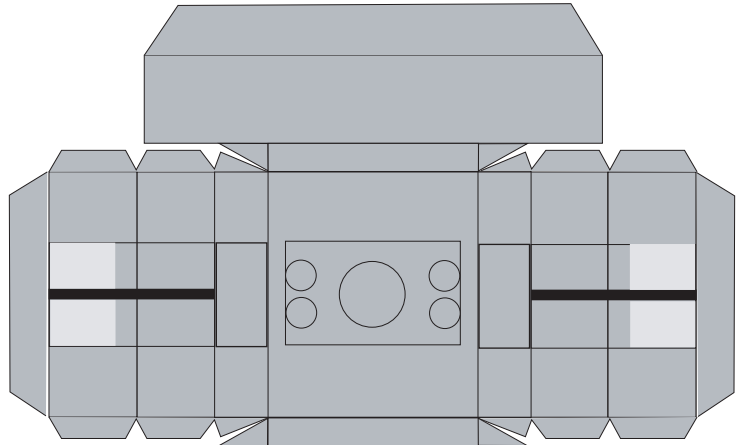
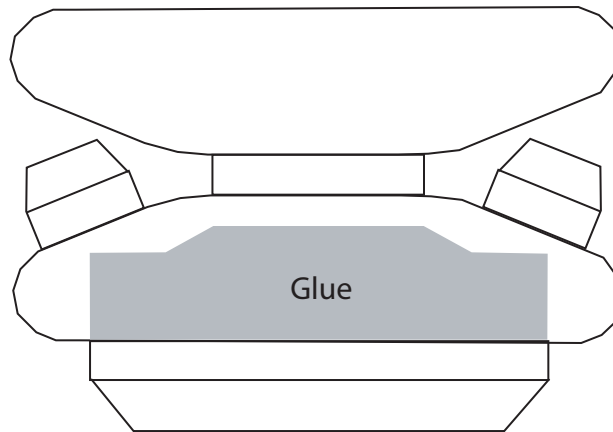
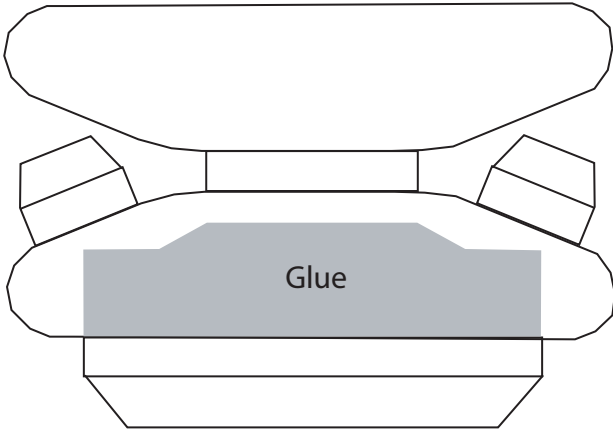
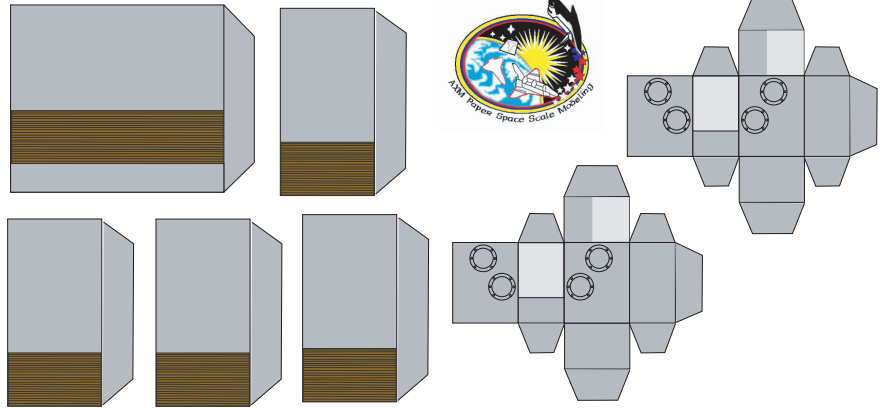
CORNER B / D

CAB

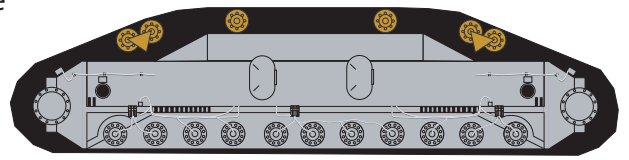


Print on Cardstock Print 4 Sheets

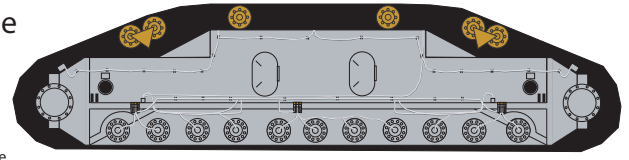
Early Apollo Crawler model  
No undercarriage steering arms



Inside



Outside



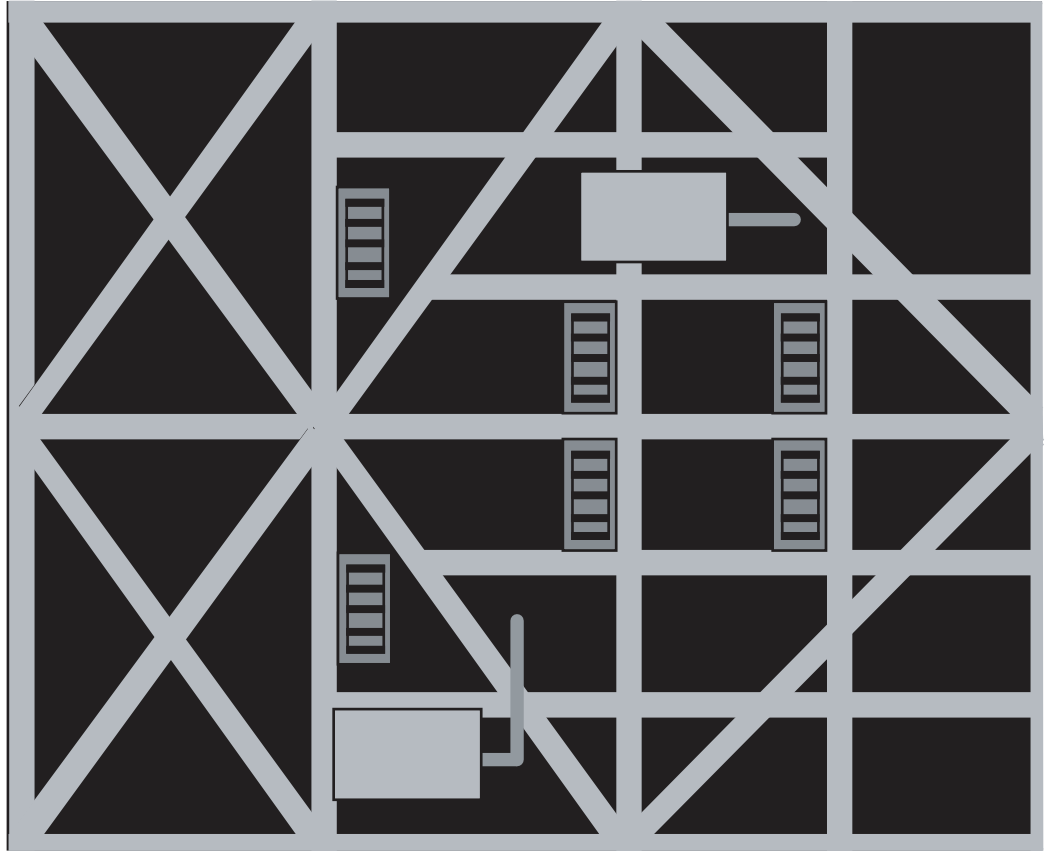


Print on Cardstock

Crawler Bottom

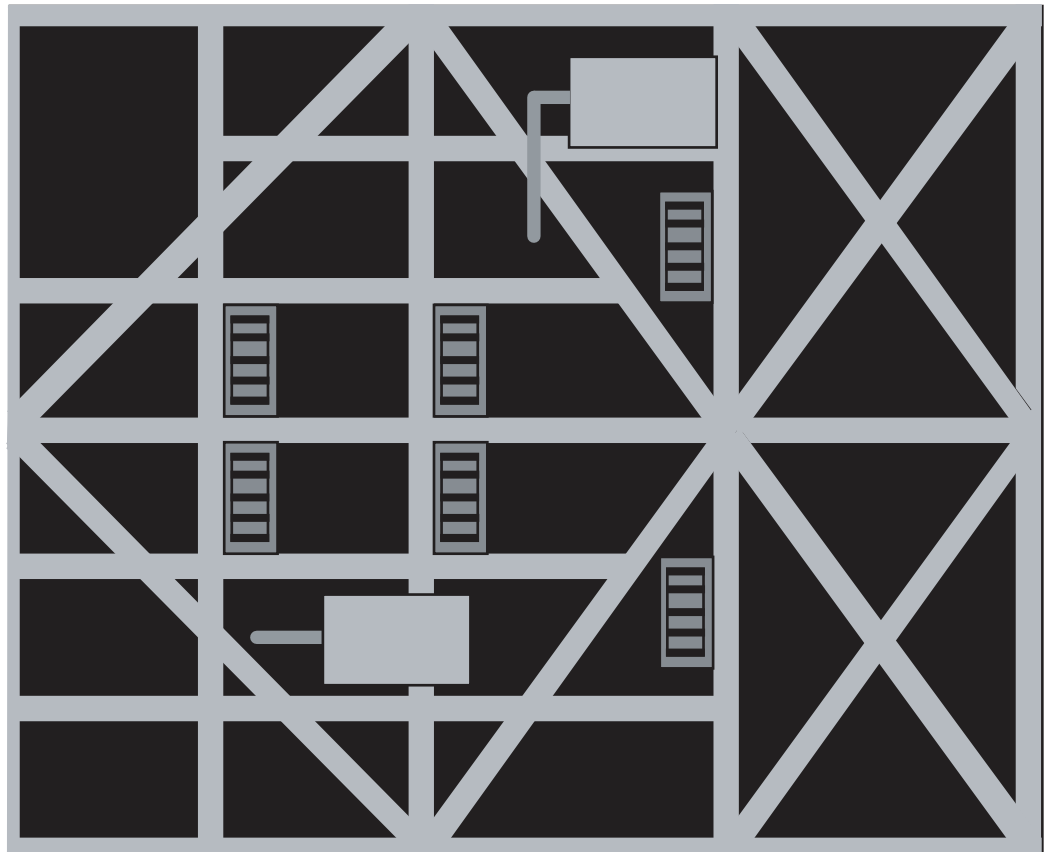
1:144 Scale Early Apollo Crawler model - undercarriage no steering amrs  
Old muffler system

OUT



IN

IN

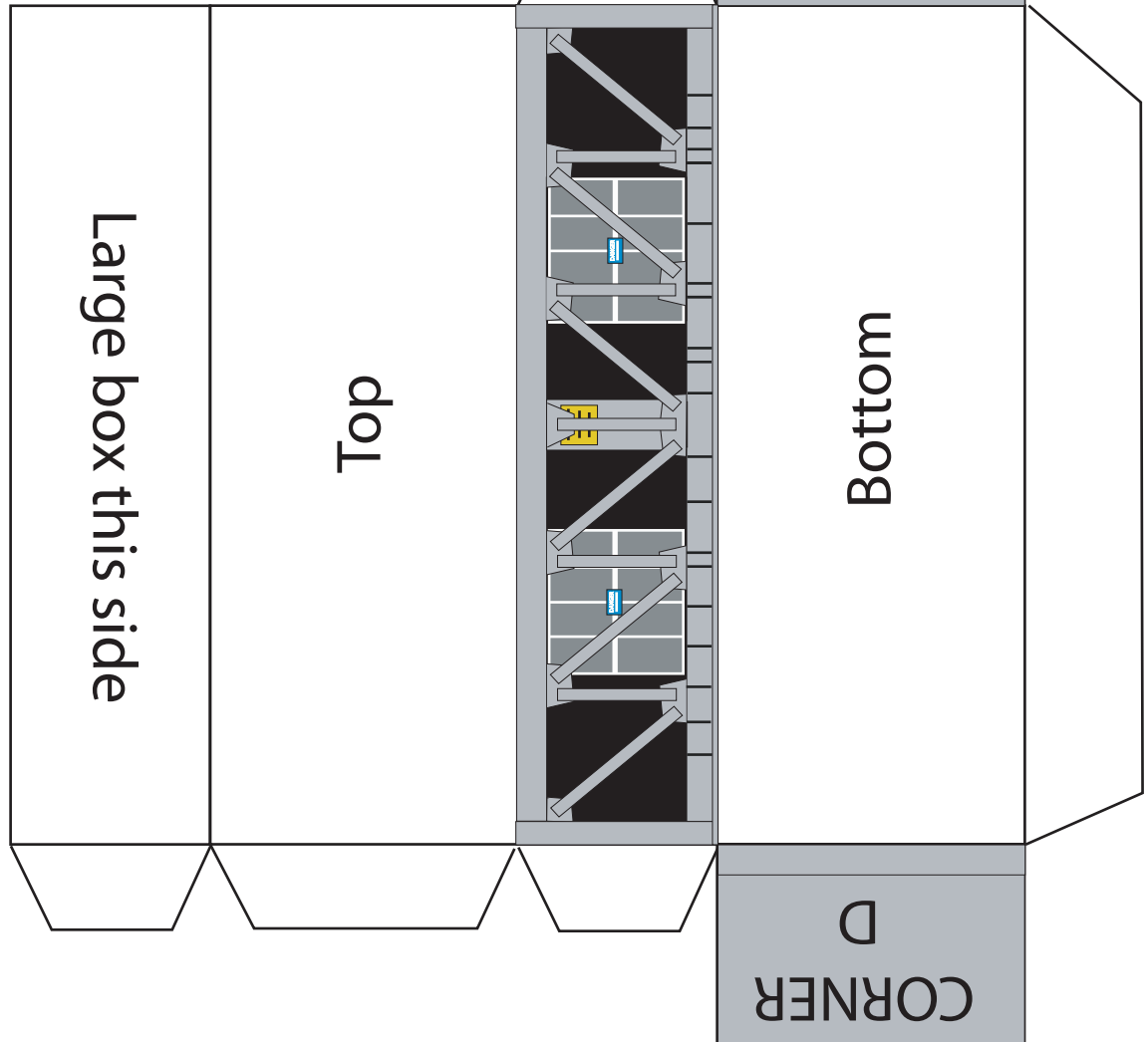
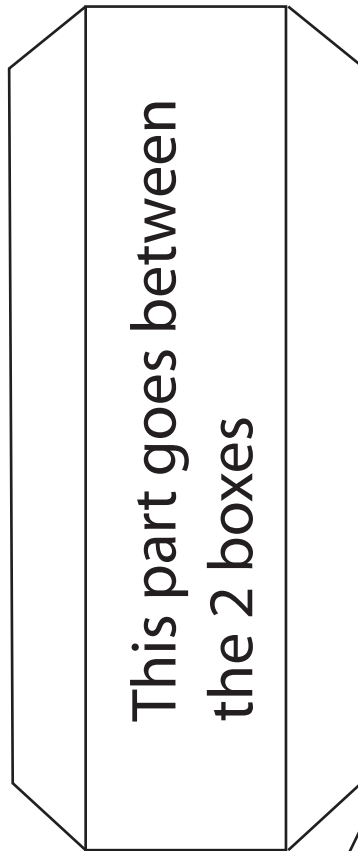
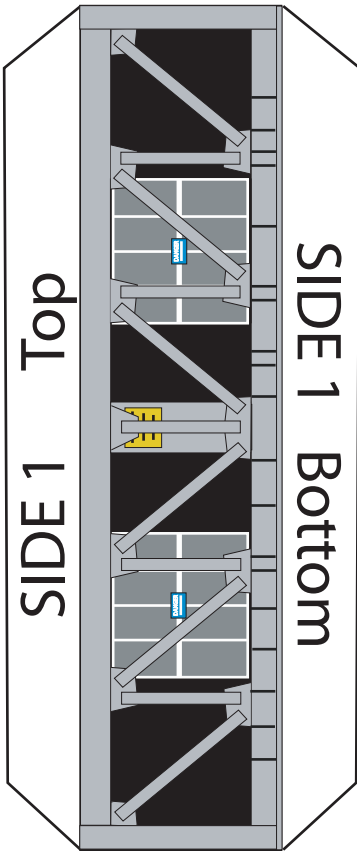


OUT



Print on Cardstock

Use with Early Apollo and Apollo crawler models only





Print on Cardstock

Small box this side  
↑

CORNER  
D

CORNER  
C

FLOOR

SIDE 4

SIDE 2

FLOOR

CORNER  
A

CORNER  
B

SIDE 1

Old Crawler model