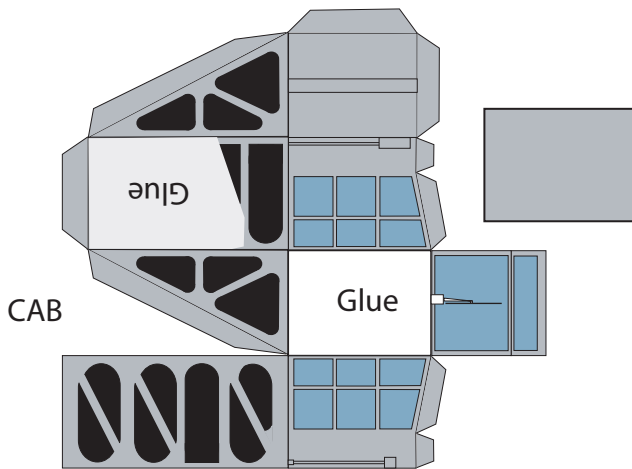
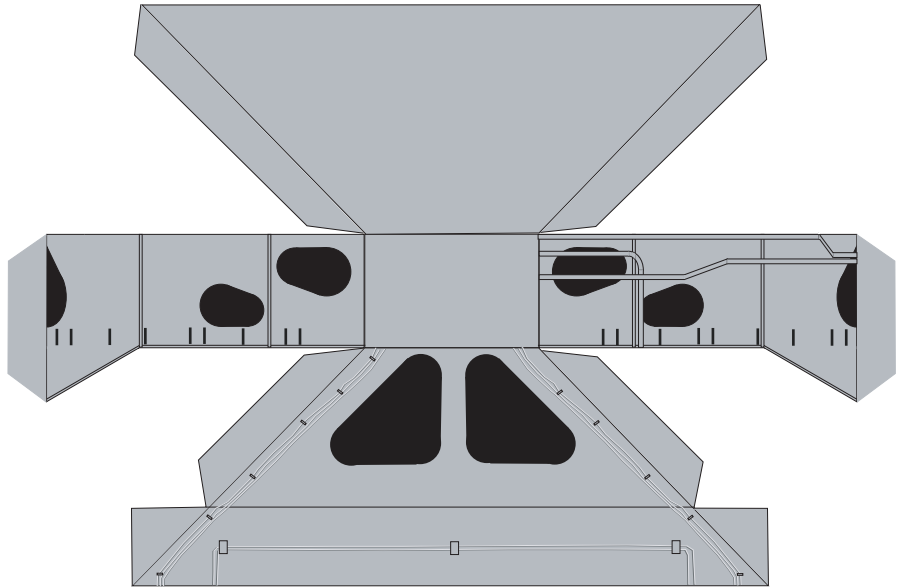
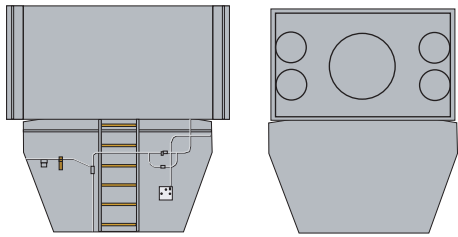




Print on Cardstock

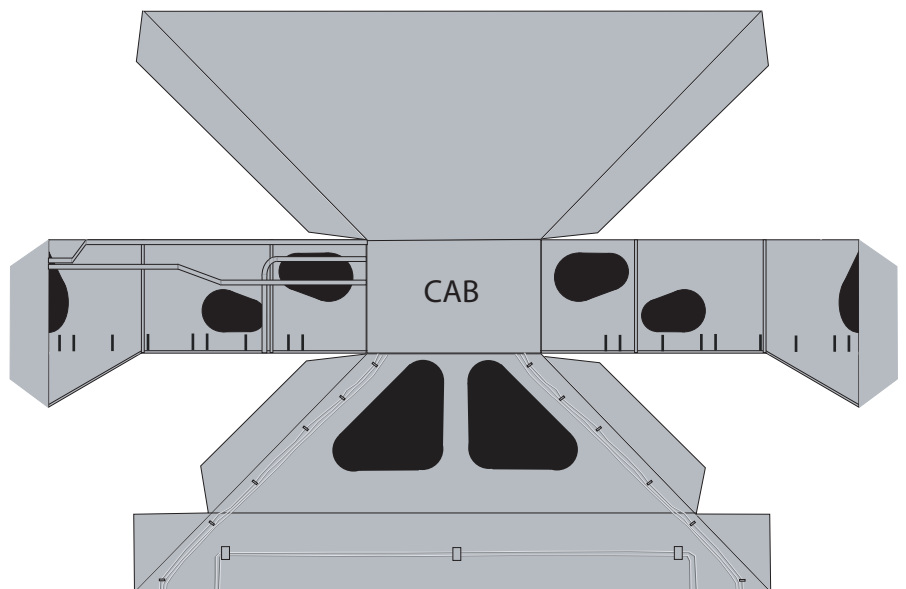
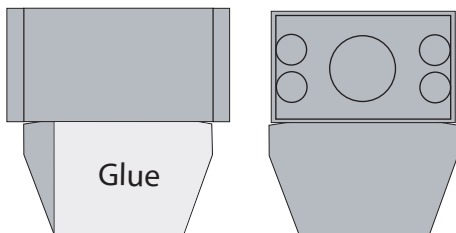
Apollo Crawler model

CORNER C / A



CORNER B / D

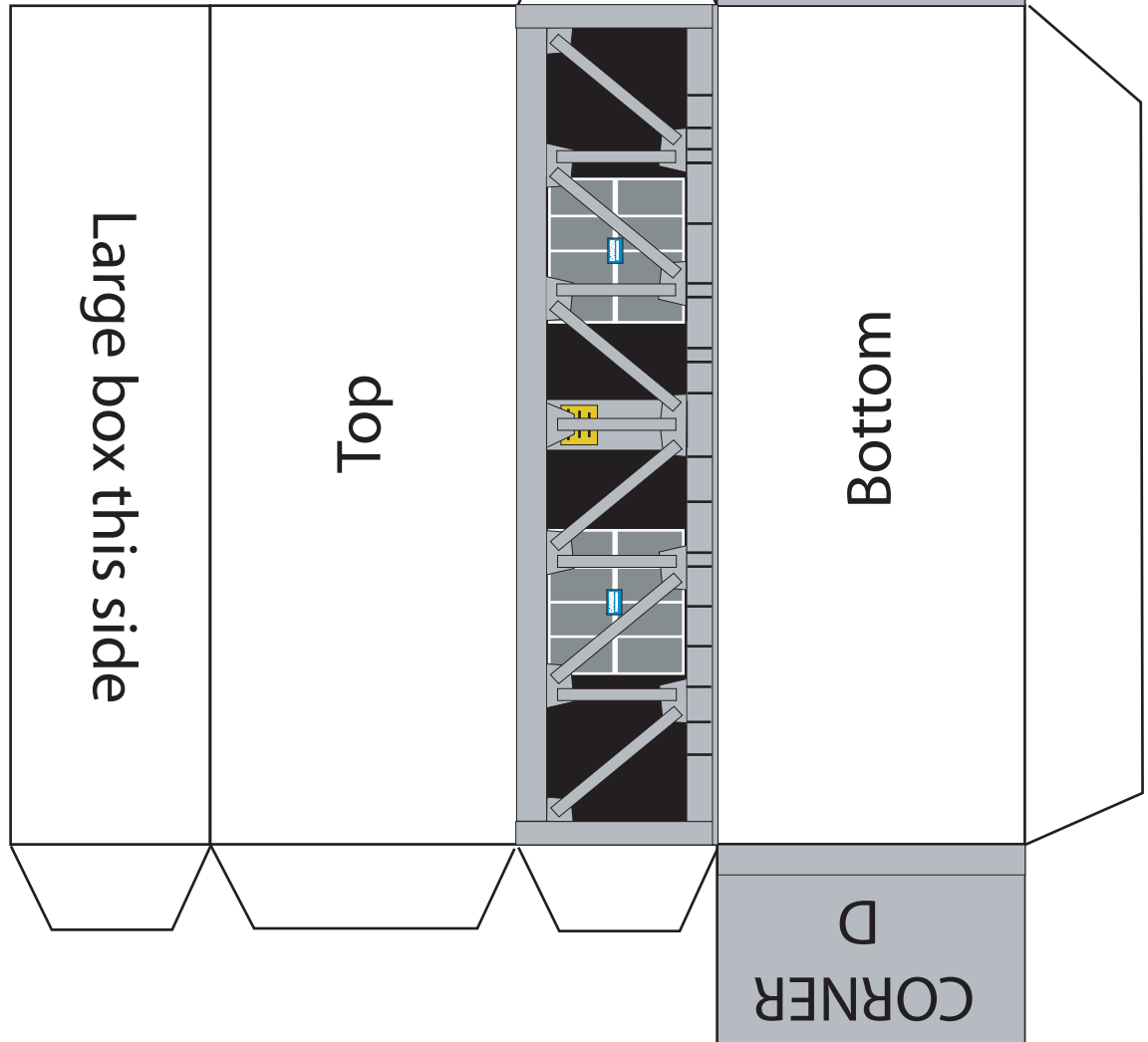
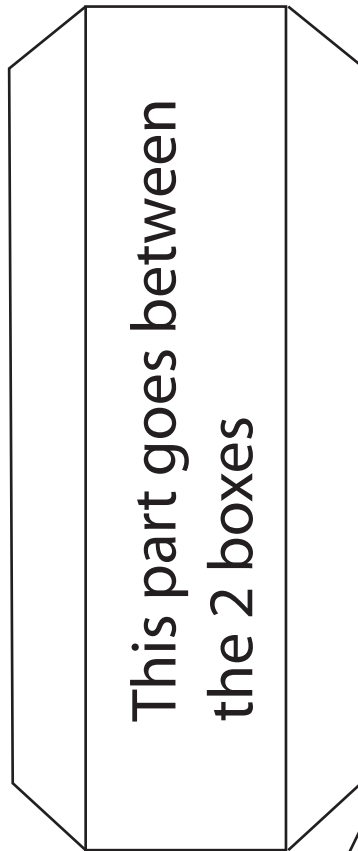
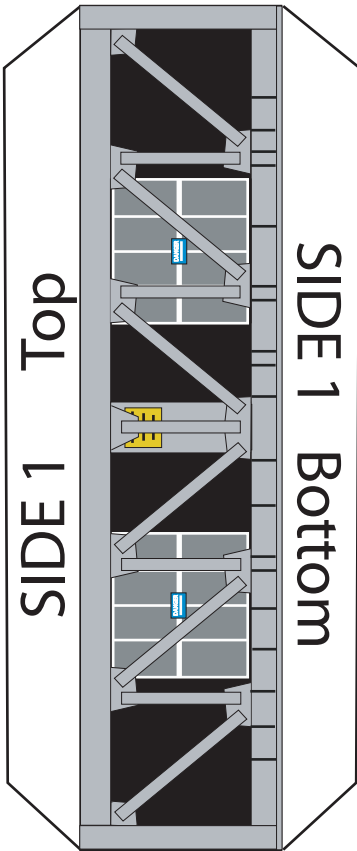
CAB





Print on Cardstock

Use with Early Apollo and Apollo crawler models only





Print on Cardstock

Small box this side
↑

CORNER
D

CORNER
C

FLOOR

SIDE 4

SIDE 2

FLOOR

CORNER
A

CORNER
B

SIDE 1

Old Crawler model



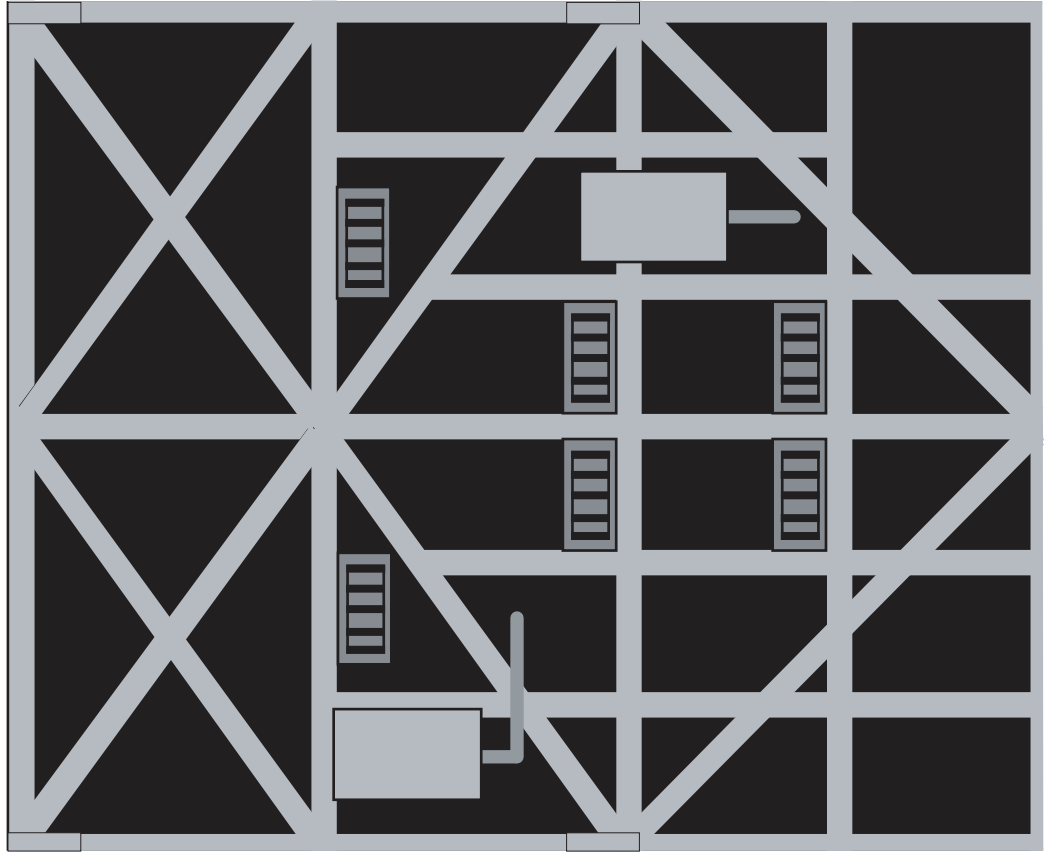
Print on Cardstock

Crawler Bottom

1:144 Scale Apollo and Old Crawler model - undercarriage

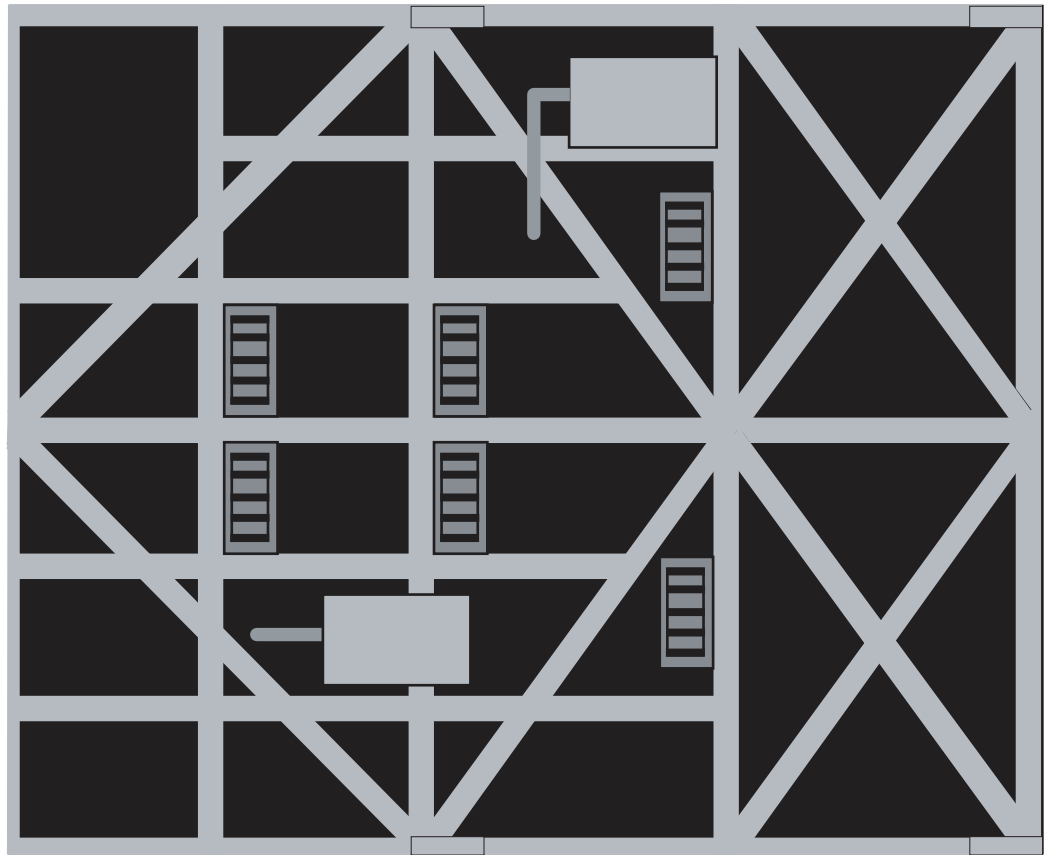
Old muffler system

OUT



IN

IN



OUT